

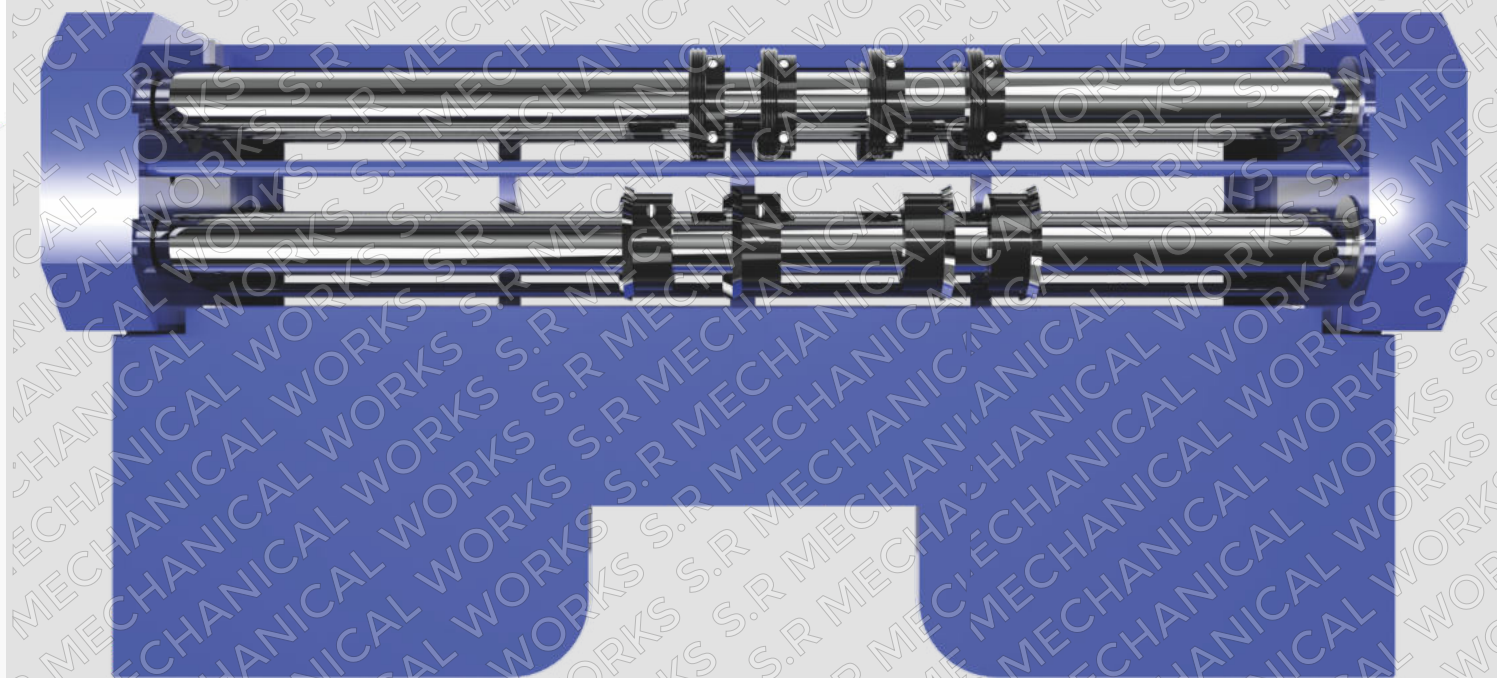
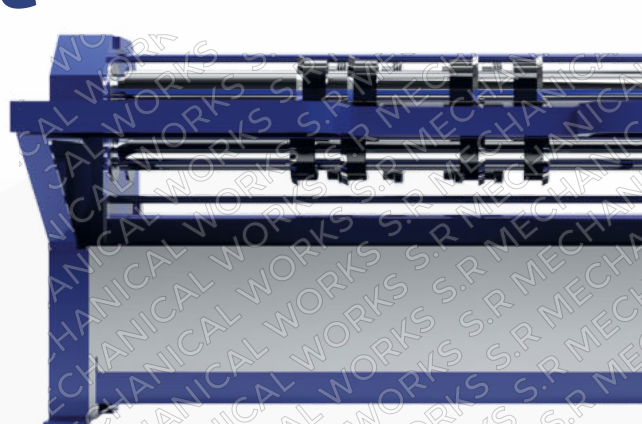
## S.R Mechanical works.

An ISO 9001:2018 Certified Company

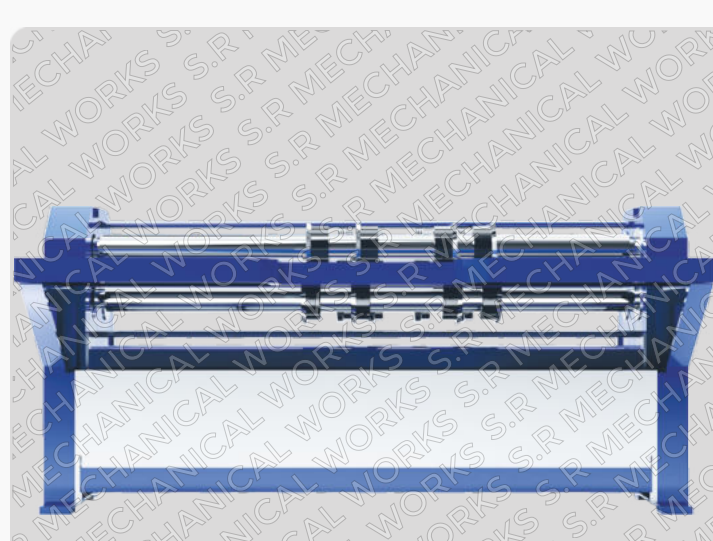
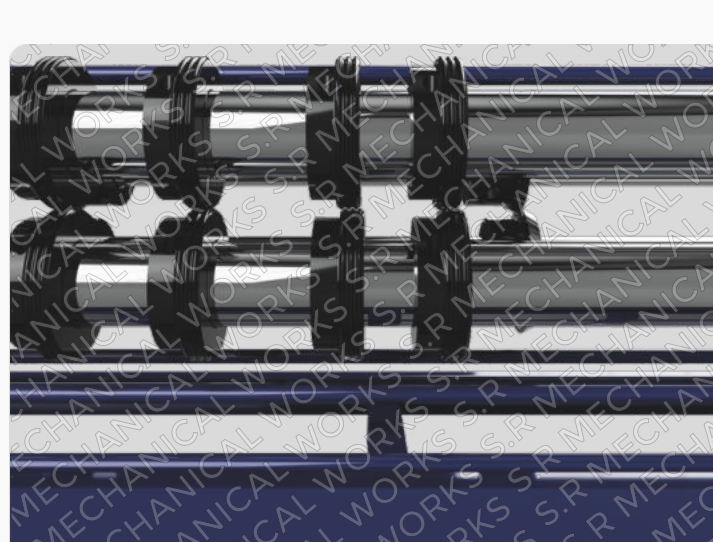
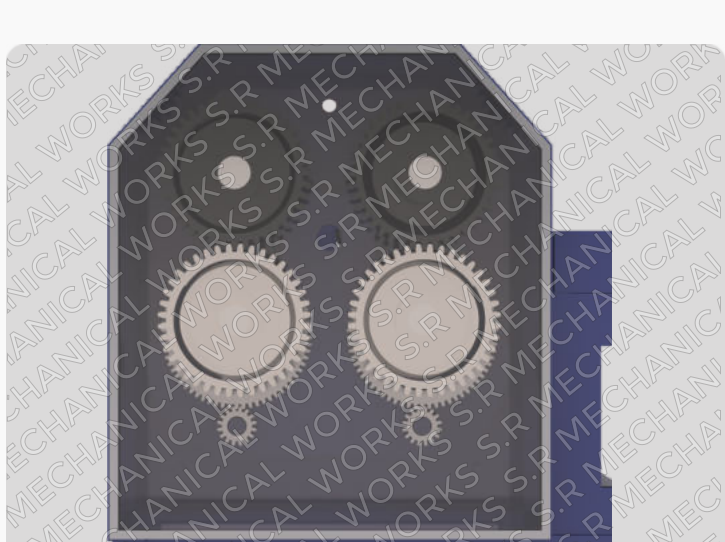
e-mail : info@srmech.in, srmech@gmail.com, srmw\_77@yahoo.com

Mobile : +91 - 9888030507, +91-9876160969, +91-9780378810

53-54, Gokal Ka Bagh, East Mohan Nagar, AMRITSAR-143006



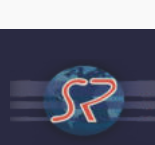
### FOUR BAR ROTARY CUTTING & CREASING MACHINE



### Machine Specification

Size	65	75	85	95
Motor H.P.	2.0	2.0	2.0	3.0
Weight App. (MT).	1.7	2.0	2.2	2.8
Floor Space.	7'x4'	8'x4'	9'x4'	10'x4'

This machine is another contribution to the packaging industry for trimming and creasing the corrugated board simultaneously, the machine is easy to operate and robust in construction. Easy setting is provided for creasing and cutting heads on this machine. Measure are provided for accurate cutting of sheet boards.



### PRODUCT BENEFITS



#### USER FRIENDLY OPERATION

This Machine Has been Built by Keeping Simplicity In Mind. It's Universal Control Panel Allows Anyone To Operate The Unit Without Any Technical Knowledge.



#### BRANDED COMPONENTS

Hydraulic Reel Stand Has Been Equipped With Branded Electrical, Pneumatic, And Mechanical Components Providing Maximum Efficiency & Minimum Downtime.



#### VALUE FOR MONEY

We Deliver Quality High - End Product That Are Quite Affordable And Will Not Let Cost Become A Major Factor While Setting Up Your Desired Board Plant.



#### ROBUST ENGINEERING

Built From High - Quality Components, This Machine is Designed to Work For Countless Hours Without Compromising With The Plant Performance And Speed.



#### MINIMUM CHANGEOVER TIME

High Quality A grade C.I casting is used Branded electricals like seimors, Heavy electro magnetic laser sensor, bronze sulphate bushes EN9 cranks & Shafts, double helical steel gears both inside and outside & Mechanical componests providing maximum efficiency & Minimum Downtime.



#### COMPLETELY MADE IN INDIA

This Machine is made & Assembled In India, Contributing Toward The Nation's Economy, Simultaneously Giving High - End Solution To The Indian Corrugators.

### THANKS YOU FOR READING

#### CONTACT US

- MOBILE NO.** +91-98880 30507, +91-98761 60969, +91-97803 78810
- PHONE NO.** +91-183-2580111, 5094678
- FAX** +91-183-2581717
- E-MAIL** info@srmech.in, srmech@gmail.com, srmw\_77@yahoo.com
- LOCATION** 53.54 Gokal ka Bagh, East Mohan Nagar, Amritsar-143006

### FOLLOW US ON



**FACEBOOK**  
SR Mechanical Works



**YOUTUBE**  
S R MECHANICAL WORKS



**INSTAGRAM**  
@S.R\_MECH



**WEBSITE**  
www.srmech.in